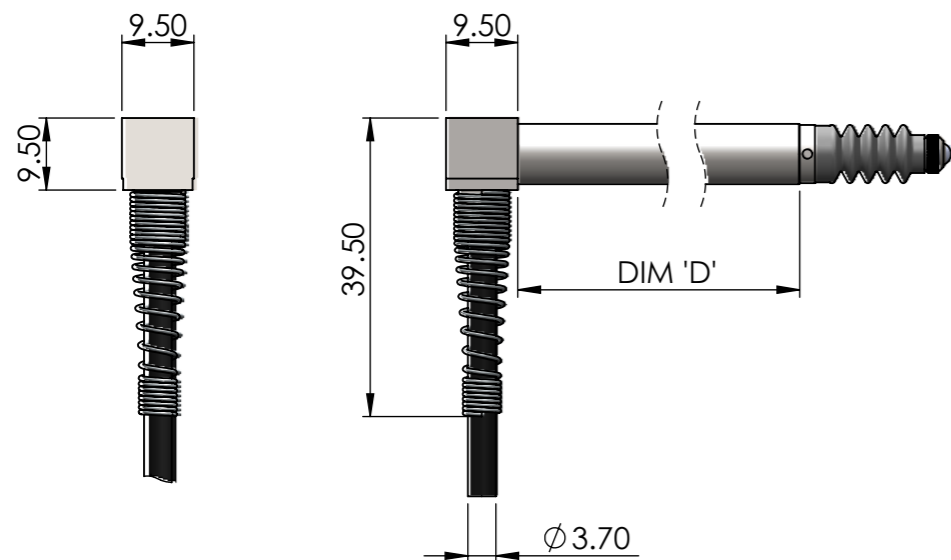
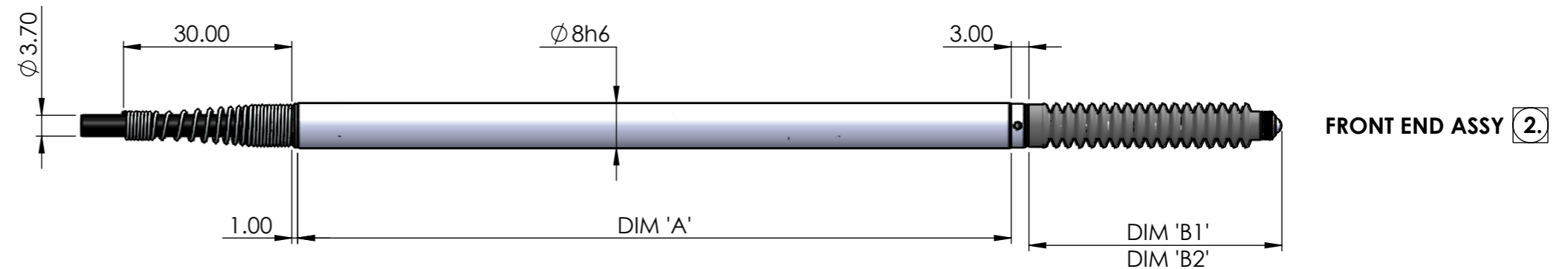
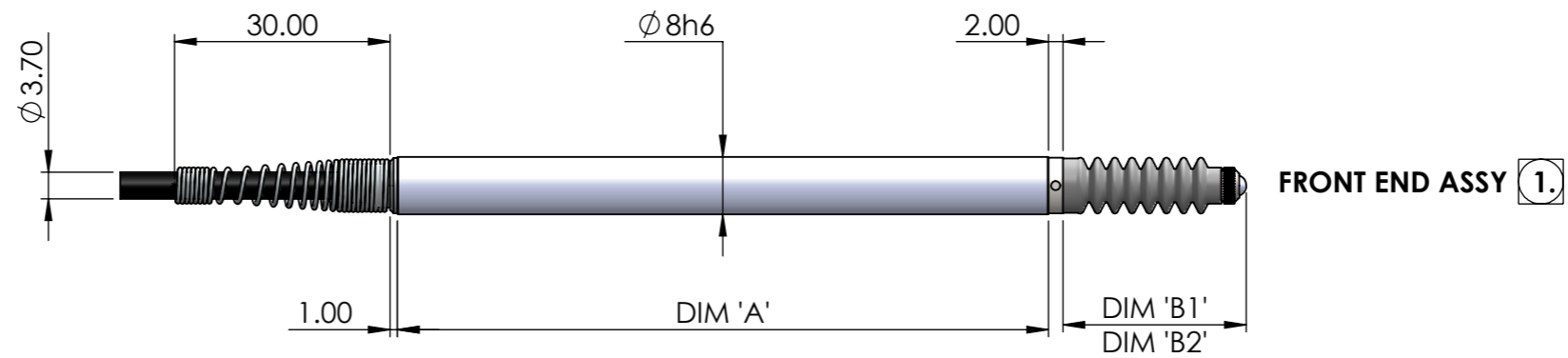


3D MODEL GUIDE		
RANGE	DP SPRING PUSH	
	AXIAL	R/A
2mm	DP2S	DPR2S
5mm	DP5S	DPR5S
10mm	DP10S	DPR10S
10/2mm	DP10-2S	DPR10-2S
12mm	DP12S	DPR12S
20mm	DP20S	DPR20S



RADIAL CABLE OUTLET OPTION 'R/A'

MEASUREMENT RANGE	2mm	5mm	10mm	10/2mm	12mm	20mm
CASE LENGTH AXIAL DIM 'A'	47.50	66.50	90.50	75.00	127.00	127.00
CASE LENGTH R/A DIM 'D'	33.50	52.50	76.50	61.50	-	113.50
FULLY EXTENDED DIM 'B1'	14.25	18.00	25.50	25.50	28.50	45.00
PRE-TRAVEL	0.15	0.15	0.15	0.15	0.15	0.15
POST-TRAVEL	0.85	0.85	0.85	8.85	0.85	0.85
FULLY RETRACTED DIM 'B2'	11.25	12.00	14.50	14.50	15.50	24.00
FRONT END ASSY	1.	1.	1.	2.	1.	2.



STEYNING WAY • BOGNOR REGIS • SUSSEX • ENGLAND • PO22 9ST

DRAWING NUMBER

540002-243

TITLE

DP/S
DIGITAL STANDARD SPRING PUSH

E.D.C.R.

20595

ISSUE

2